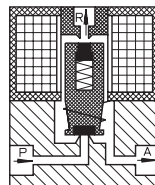
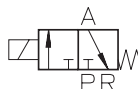


### Type VA 391

3-way solenoid valve  
direct actuated, NC  
(normally closed)



**Application**  
Neutral and mildly aggressive  
liquids, gases and vapors



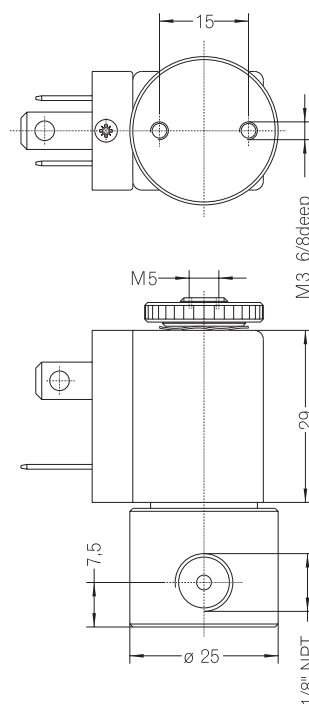
Type/ Order No.	Orifice [mm]	Port size	Pressure range [bar]		kv-value [m³/h]	Weight [kg]
			AC	DC		
VA 391-001	1,0	1/8"- NPT	0 - 10	0 - 10	0,03	0,130
VA 391-002	1,6	1/8"- NPT	0 - 6	0 - 6	0,06	0,130
VA 391-003	2,2	1/8"- NPT	0 - 3	0 - 3	0,11	0,130

Sealing material: **E** (EPDM) **V** (FPM) **Z** (FFPM)

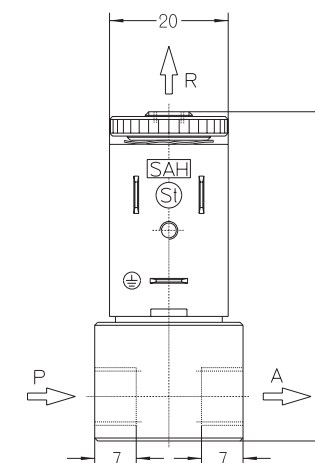
Body material: Stainless steel (1.4305)  
 Inner parts: Stainless steel (1.4105)  
 Mounting direction: Free, preferred upwards  
 Max. ambient temp.: 50 °C  
 Viscosity of the medium: max. 21 mm²/s (3 °E)  
 Static pressure: max. 30 bar  
 Standard voltage: DC: 24, 12 V  
 AC: 230 V, 115 V, 42 V,  
 24 V, 12 V (50 or 60 Hz)

Power consumption: 5 VA / 5 W  
 Voltage tolerance: -15%... +10%  
 Duty cycle: 100 %  
 Operating frequency: max. 1000/min  
 Degree of Protection: IP 54 (EN 60529)  
 Internal circuit for AC: Y

Other configurations upon request



The right to modification is reserved



Dimensions in mm