

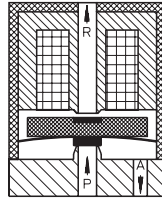
## VA 304-1

3-way solenoid valve  
direct actuated, NC  
(normally closed)



### Application

Neutral and mildly aggressive  
liquids, gases and vapors



Type/ Order No.	Size s [mm]	Orifice [mm]	Port size	Pressure range [bar]	KV-value [m³/h]	Weight [kg]
VA 304-102	21	1,0	Cartridge	0 - 10	---	0,060
VA 304-103	21	2,0	Cartridge	0 - 6	---	0,060
VA 304-104	21	3,0	Cartridge	0 - 2,5	---	0,060
VA 304-105	21	4,0	Cartridge	0 - 1	---	0,060

Sealing material: **P** (NBR) **E** (EPDM) **V** (FPM) **Z** (FFKM)

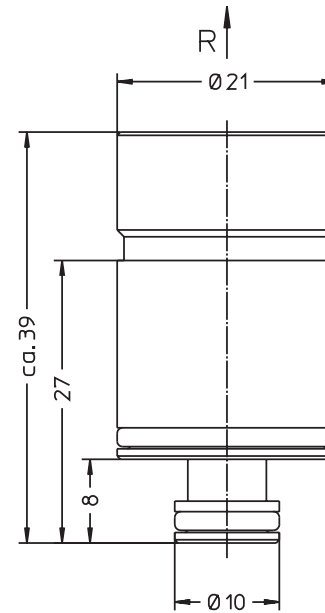
Body material:	Stainless steel (1.4305)	Power consumption:	2 - 3 W
Inner parts:	Stainless steel (1.4310 / 1.4105)	Voltage tolerance:	-15%... +10%
Mounting direction:	Free, preferred upwards	Duty cycle:	100 %
Max. ambient temp.:	50 °C	Operating frequency:	max. 50/s
Viscosity of the medium:	max. 21 mm²/s (3 °E)	Cycle time:	3 ms to 7 ms
Static pressure:	max. 20 bar		
Standard voltage:	DC: 24 V, 12 V, 9 V, 6 V		

72

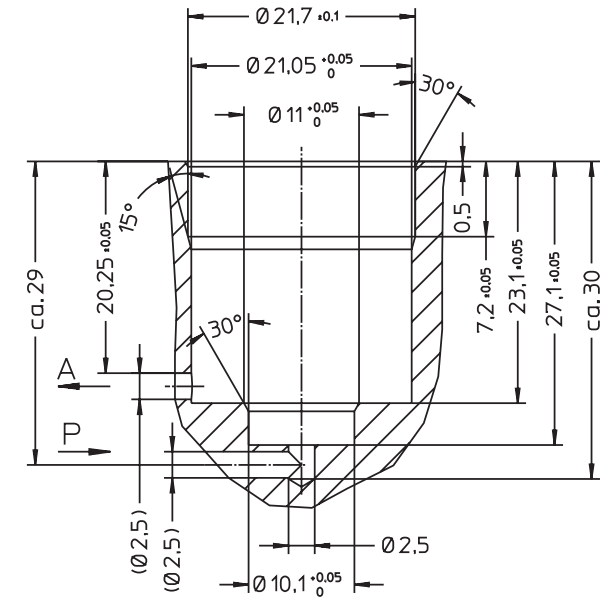
Other configurations upon request

staiger

The right to modification is reserved



cartridge diagram



73