

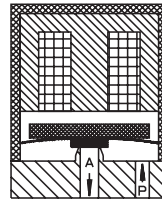
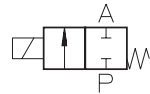
VA 204-7

2-way solenoid valve
direct actuated, NC
(normally closed)



Application

Neutral and mildly aggressive
liquids, gases and vapors



Type/ Order No.	Size s [mm]	Orifice [mm]	Port size	Pressure range [bar]	KV-value [m³/h]	Weight [kg]
VA 204-715	7	0,3	Cartridge	0 - 10	---	0,003
VA 204-716	7	0,5	Cartridge	0 - 8	---	0,003
VA 204-717	7	0,8	Cartridge	0 - 6	---	0,003
VA 204-718	7	1,0	Cartridge	0 - 3	---	0,003

Sealing material: **P** (NBR) **E** (EPDM) **V** (FPM) **Z** (FFKM)

Body material:	Stainless steel (1.4305)	Power consumption:	0,5 - 1 W
Inner parts:	Stainless steel (1.4310 / 1.4105)	Voltage tolerance:	-15%... +10%
Mounting direction:	Free, preferred upwards	Duty cycle:	100 %
Max. ambient temp.:	50 °C	Operating frequency:	max. 500/s
Viscosity of the medium:	max. 21 mm²/s (3 °E)	Cycle time:	0,5 ms to 4 ms
Static pressure:	max. 20 bar		
Standard voltage:	DC: 24 V, 12 V, 9 V, 6 V		

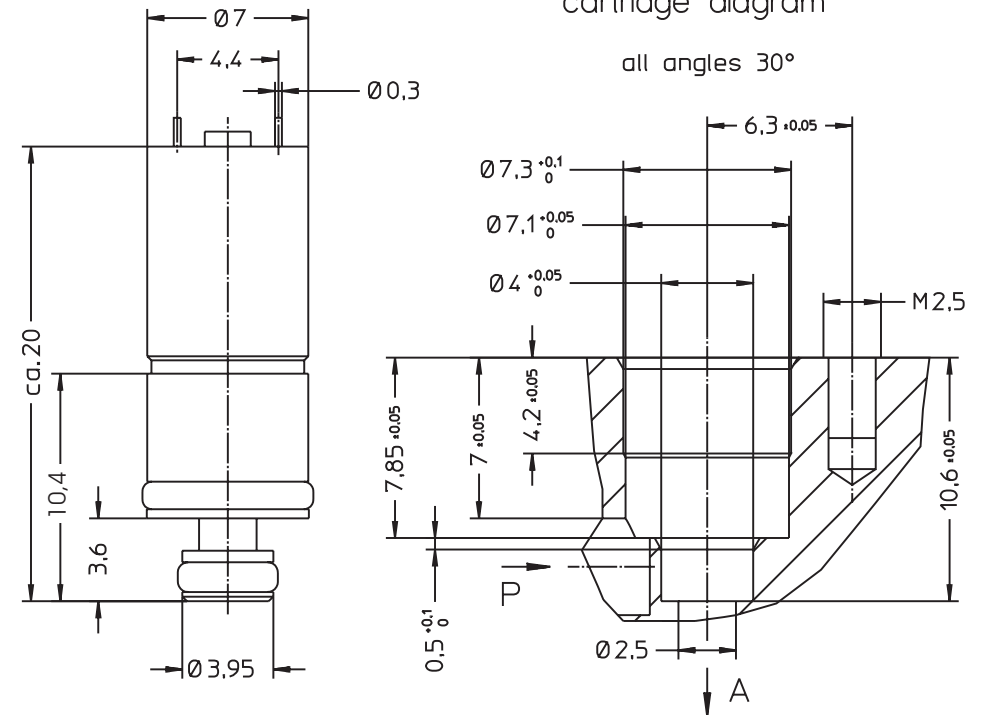
70

Other configurations upon request

staiger

cartridge diagram

all angles 30°



The right to modification is reserved

71