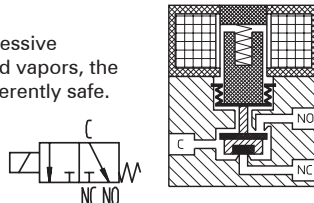


Type QE 682

3-way solenoid valve switching function, with bellow separation



Application
Neutral and aggressive liquids, gases and vapors, the materials are inherently safe.



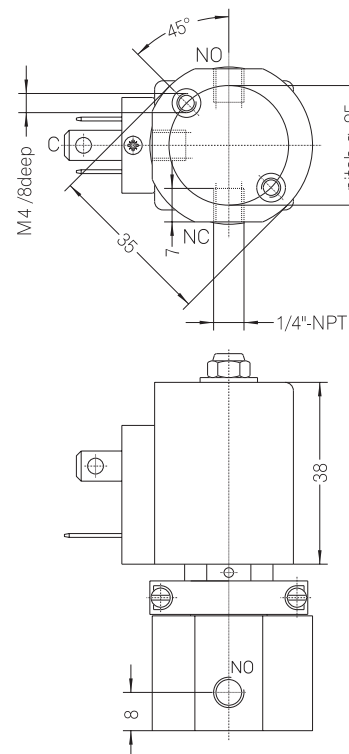
Type/ Order No.	Orifice [mm]	Port size	Pressure range [bar]		kv-value [m³/h]	Weight [kg]
			AC	DC		
QE 682-001	1,0	1/4"- 28	0 - 1	0 - 1	0,03	0,250
QE 682-002	1,5	1/4"- 28	0 - 1	0 - 1	0,05	0,250
QE 682-003	2,0	1/4"- 28	0 - 1	0 - 1	0,11	0,250

Sealing material: **Z** (FFPM)

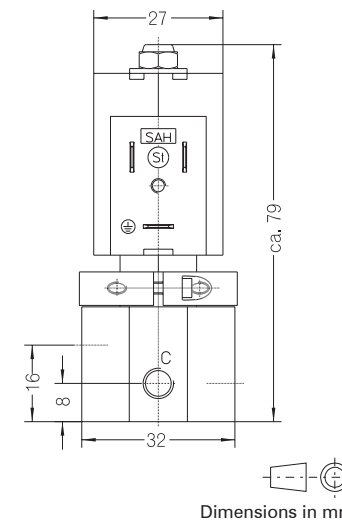
Body material: PTFE
 Inner parts: PTFE
 Mounting direction: Free, preferred upwards
 Max. ambient temp.: 50 °C
 Viscosity of the medium: max. 21 mm²/s (3 °E)
 Static pressure: max. 1 bar
 Standard voltage: DC: 24, 12 V
 AC: 230 V, 115 V, 42 V, 24 V, 12 V (50 or 60 Hz)

Power consumption: 11 VA / 8 W
 Voltage tolerance: -15%... +10%
 Duty cycle: 100 %
 Operating frequency: max. 300/min
 Degree of Protection: IP 54 (EN 60529)
 Internal circuit for AC: Y

Other configurations upon request



The right to modification is reserved



Dimensions in mm