

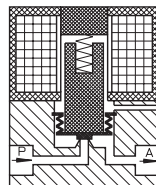
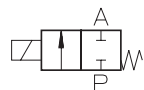
### Type QE 282

2-way solenoid valve  
direct actuated, NC  
(normally closed), with  
bellow separation



#### Application

Neutral and aggressive  
liquids, gases and vapors, the  
materials are inherently safe.



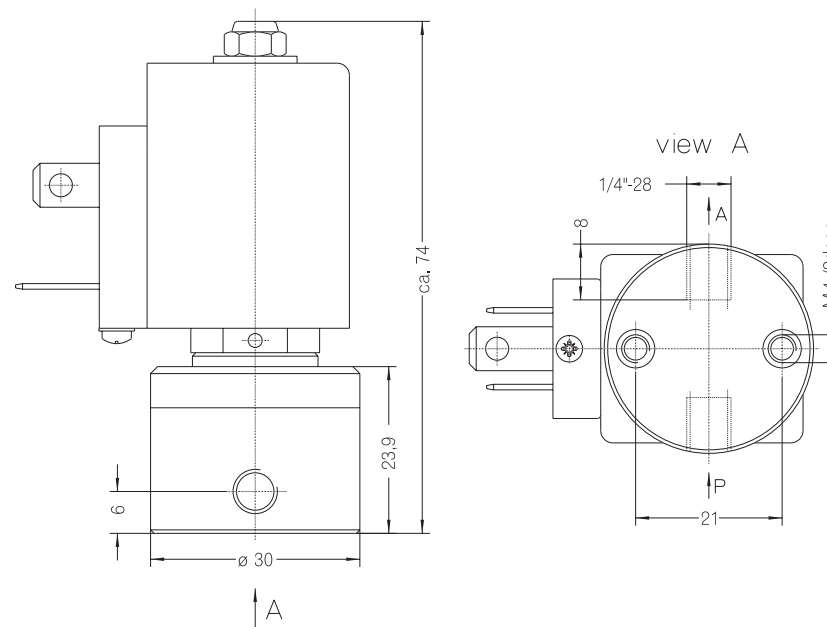
| Type/<br>Order No. | Orifice<br>[mm] | Port size | Pressure range [bar] |       | kv-value<br>[m³/h] | Weight<br>[kg] |
|--------------------|-----------------|-----------|----------------------|-------|--------------------|----------------|
|                    |                 |           | AC                   | DC    |                    |                |
| QE 282-001         | 1,0             | 1/4"-28   | 0 - 1                | 0 - 1 | 0,04               | 0,160          |
| QE 282-002         | 1,5             | 1/4"-28   | 0 - 1                | 0 - 1 | 0,06               | 0,160          |
| QE 282-003         | 2,0             | 1/4"-28   | 0 - 1                | 0 - 1 | 0,11               | 0,160          |

Sealing material: **Z** (FFPM)

Body material: PTFE  
 Inner parts: PTFE  
 Mounting direction: Free, preferred upwards  
 Max. ambient temp.: 50 °C  
 Viscosity of the medium: max. 21 mm²/s (3 °E)  
 Static pressure: max. 1 bar  
 Standard voltage: DC: 24, 12 V  
 AC: 230 V, 115 V, 42 V,  
 24 V, 12 V (50 or 60 Hz)

Power consumption: 11 VA / 8 W  
 Voltage tolerance: -15%... +10%  
 Duty cycle: 100 %  
 Operating frequency: max. 300/min  
 Degree of Protection: IP 54 (EN 60529)  
 Internal circuit for AC: Y

Other configurations upon request



The right to modification is reserved