

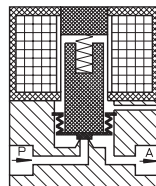
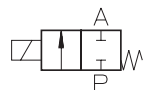
### Type QE 232

2-way solenoid valve  
direct actuated, NC  
(normally closed), with  
bellow separation



#### Application

Neutral and aggressive  
liquids, gases and vapors, the  
materials are inherently safe.



Type/ Order No.	Orifice [mm]	Port size	Pressure range [bar]		kv-value [m³/h]	Weight [kg]
			AC	DC		
QE 232-001	1,0	G 1/4	0 - 1	0 - 1	0,04	0,180
QE 232-002	2,0	G 1/4	0 - 1	0 - 1	0,11	0,180
QE 232-003	3,0	G 1/4	0 - 1	0 - 1	0,22	0,180
QE 232-004	4,0	G 1/4	0 - 1	0 - 1	0,35	0,180

Sealing material: **Z** (FFPM)

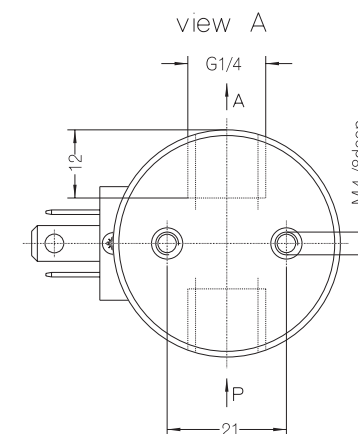
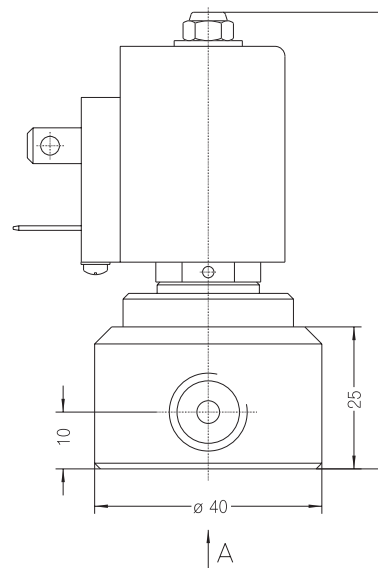
Body material: PTFE  
 Inner parts: PTFE  
 Mounting direction: Free, preferred upwards  
 Max. ambient temp.: 50 °C  
 Viscosity of the medium: max. 21 mm²/s (3 °E)  
 Static pressure: max. 1 bar  
 Standard voltage: DC: 24, 12 V  
 AC: 230 V, 115 V, 42 V,  
 24 V, 12 V (50 or 60 Hz)

Power consumption: 11 VA / 8 W  
 Voltage tolerance: -15%... +10%  
 Duty cycle: 100 %  
 Operating frequency: max. 300/min  
 Degree of Protection: IP 54 (EN 60529)  
 Internal circuit for AC: Y

240

Other configurations upon request

The right to modification is reserved



241