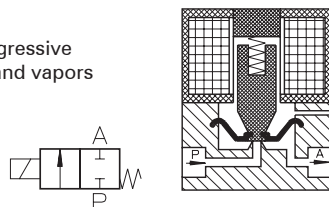


Type PE 202

2-way solenoid valve
direct actuated, NC
(normally closed), with
diaphragm separation



Application
Neutral and aggressive
liquids, gases and vapors



Type/ Order No.	Orifice [mm]	Port size	Pressure range [bar]		kv-value [m³/h]	Weight [kg]
			AC	DC		
PE 202-005	1,0	OD 6 mm	0 - 1	0 - 1	0,05	0,140
PE 202-006	2,0	OD 6 mm	0 - 1	0 - 1	0,10	0,140
PE 202-007	3,0	OD 6 mm	0 - 1	0 - 1	0,20	0,140
PE 202-008	4,0	OD 6 mm	0 - 1	0 - 1	0,39	0,140

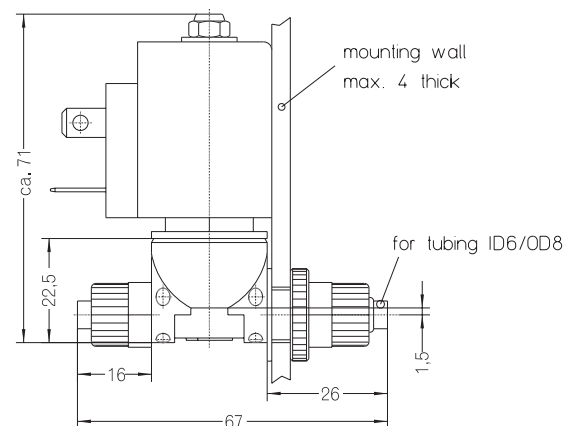
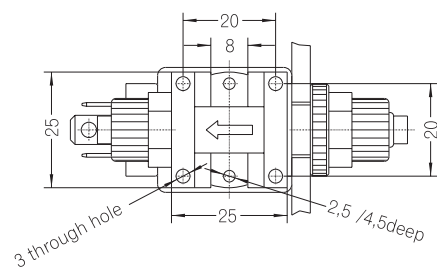
Sealing material: **P** (NBR) **E** (EPDM) **V** (FPM)

Body material: Noryl (PPO)
 Inner parts: Stainless steel (1.4105)
 Mounting direction: Free, preferred upwards
 Max. ambient temp.: 50 °C
 Viscosity of the medium: max. 21 mm²/s (3 °E)
 Static pressure: max. 1 bar
 Standard voltage: DC: 24, 12 V
 AC: 230 V, 115 V, 42 V,
 24 V, 12 V (50 or 60 Hz)

Power consumption: 11 VA / 8 W
 Voltage tolerance: -15%... +10%
 Duty cycle: 100 %
 Operating frequency: max. 300/min
 Degree of Protection: IP 54 (EN 60529)

Other configurations upon request

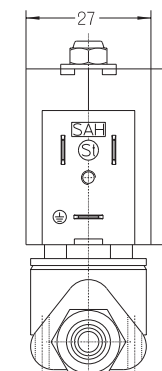
224



The right to modification is reserved

225

staiger



Dimensions in mm