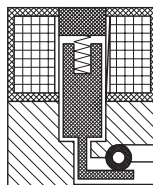
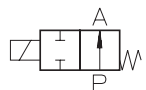


### Type PB 103

2-way pinch valve  
direct actuated, NO  
(normally open)



**Application**  
Neutral and aggressive  
liquids and gases



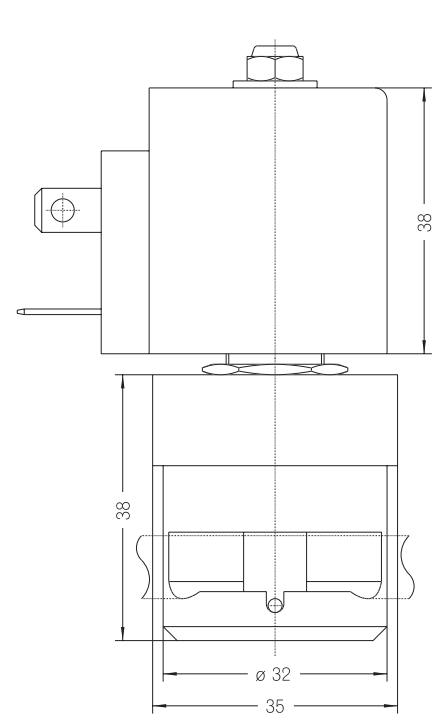
Type/ Order No.	Hose diameter [mm]	Hose hardness [shore]	Pressure range [bar]	Weight [kg]
PB 103-001	O.D. 7 / I.D. 5	max. 60	0 - 1,5	0,25
PB 103-002	O.D. 10 / I.D. 8	max. 60	0 - 0,2	0,25
PB 103-003	O.D. 9 / I.D. 7	max. 60	0 - 0,5	0,25

Body material: POM  
 Inner parts: Stainless steel (1.4105)  
 Mounting direction: Free, preferred upwards  
 Max. ambient temp.: 50 °C  
 Standard voltage: DC: 24 V

Power consumption: 25 W  
 Voltage tolerance: -15%... +10%  
 Duty cycle: 50 %  
 Operating frequency: max. 60/min  
 Degree of Protection: IP 54 (EN 60529)

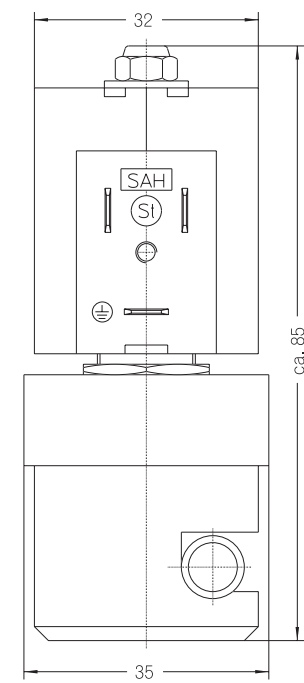
326

Other configurations upon request



The right to modification is reserved

327



Dimensions in mm