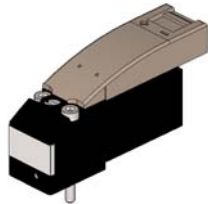


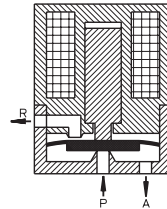
PA 306

3-way solenoid valve,
direct actuated, NC
(normally closed)



Application

Neutral liquids, gases
and vapors



Type/ Order No.	Orifice [mm]	Port size	Pressure range [bar]	kv-value [NL/min]	Weight [kg]	Manual override
PA 306-001	0,6	Flange ISO	0 - 8	8		with
PA 306-002	0,8	Flange ISO				with
PA 306-003	1,0	Flange ISO				with
PA 306-004	0,6	Flange ISO	0 - 8	8		without
PA 306-005	0,8	Flange ISO				without
PA 306-006	1,0	Flange ISO				without

technical details on demand

Sealing material: **P** (NBR) **E** (EPDM) **V** (FPM) **Z** (FFKM)

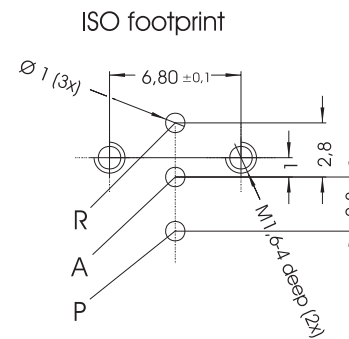
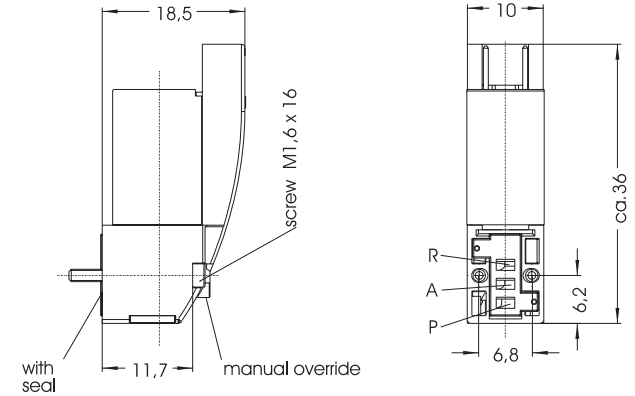
Body material: PA
 Inner parts: Stainless steel, POM
 Mounting direction: Free, any position
 Max. ambient temp.: -10 °C bis +50 °C
 Viscosity of the medium: max. 21 mm²/s (3 °E)
 Static pressure: max. 8 bar
 Standard voltage: DC: 3 V, 5 V, 12 V, 24 V

Power consumption: 0,5 W, 1,0 W, 1,5 W
 Voltage tolerance: -15 % ... +10 %
 Duty cycle: 100 %
 Operating frequency: max. 1800 /min.
 Protection type
 EN 60 529: IP 40, IP 54, IP 65

42

Other configurations upon request

staiger



The right to modification is reserved

43

further solenoid connectors see page 15