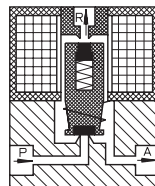


### Type PA 301

3-way solenoid valve  
direct actuated, NC  
(normally closed)



**Application**  
Neutral liquids, gases  
and vapors



Type/ Order No.	Orifice [mm]	Port size	Pressure range [bar]		kv-value [m³/h]	Weight [kg]
			AC	DC		
PA 301-006	1,6	Flange	0 - 8	0 - 8	0,06	0,080
PA 301-007	0,8	Flange	0 - 8	0 - 8	0,02	0,080
PA 301-008	1,0	Flange	0 - 8	0 - 8	0,03	0,080
PA 301-009	1,2	Flange	0 - 8	0 - 8	0,045	0,080
PA 301-010	2,0	Flange	0 - 5	0 - 5	0,10	0,080
PA 301-011	2,2	Flange	0 - 4	0 - 4	0,11	0,080
PA 301-012	2,5	Flange	0 - 3	0 - 3	0,14	0,080

Sealing material: **P** (NBR) **E** (EPDM) **V** (FPM)

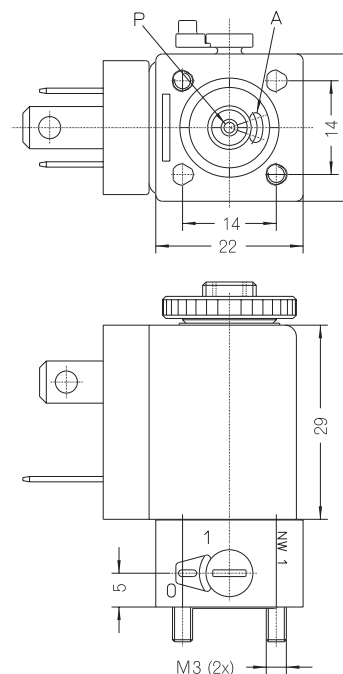
Body material: POM  
 Inner parts: Stainless steel (1.4105)  
 Mounting direction: Free, preferred upwards  
 Max. ambient temp.: 50 °C  
 Viscosity of the medium: max. 21 mm²/s (3 °E)  
 Static pressure: max. 10 bar  
 Standard voltage: DC: 24, 12 V  
 AC: 230 V, 115 V, 42 V,  
 24 V, 12 V (50 or 60 Hz)

Power consumption: 5 VA / 5 W (1,3 W)  
 Voltage tolerance: -15%... +10%  
 Duty cycle: 100 %  
 Operating frequency: max. 1000/min  
 Degree of Protection: IP 54 (EN 60529)

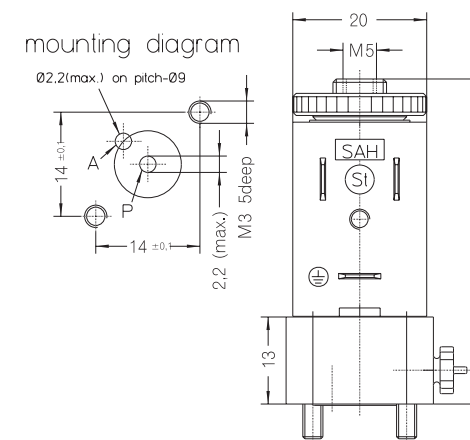
Other configurations upon request

220

staiger



The right to modification is reserved



221

  
 Dimensions in mm