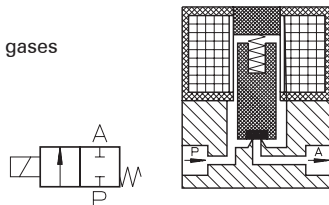


Type PA 202

2-way solenoid valve
direct actuated, NC
(normally closed)



Application
Neutral liquids, gases
and vapors



Type/ Order No.	Orifice [mm]	Port size	Pressure range [bar]		kv-value [m³/h]	Weight [kg]
			AC	DC		
PA 202-001	1,0	OD 7 mm	0 - 10	0 - 10	0,05	0,140
PA 202-002	2,0	OD 7 mm	0 - 10	0 - 10	0,10	0,140
PA 202-003	3,0	OD 7 mm	0 - 10	0 - 6	0,20	0,140
PA 202-004	4,0	OD 7 mm	0 - 3	0 - 3	0,39	0,140

Sealing material: **P** (NBR) **E** (EPDM) **V** (FPM)

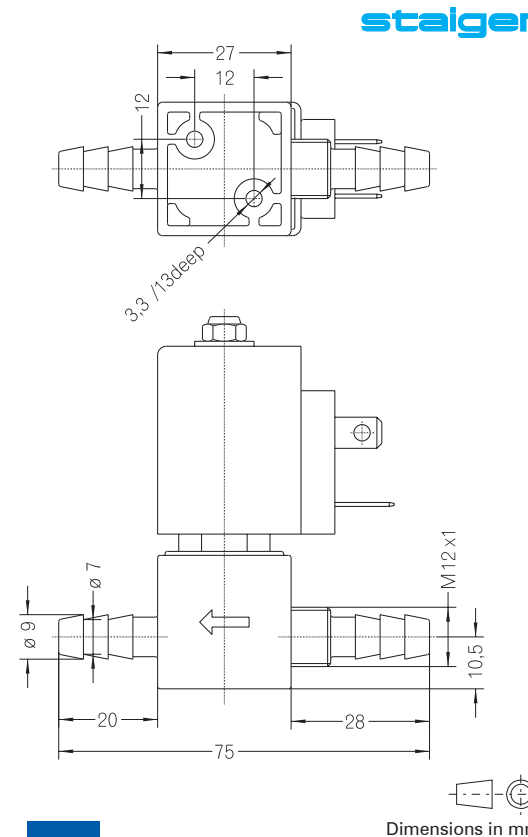
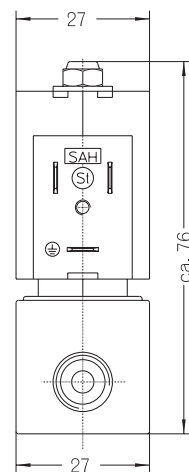
Body material: PVDF
 Inner parts: Stainless steel (1.4105)
 Mounting direction: Free, preferred upwards
 Max. ambient temp.: 50 °C
 Viscosity of the medium: max. 21 mm²/s (3 °E)
 Static pressure: max. 10 bar
 Standard voltage: DC: 24, 12 V
 AC: 230 V, 115 V, 42 V,
 24 V, 12 V (50 or 60 Hz)

Power consumption: 11 VA / 8 W
 Voltage tolerance: -15%... +10%
 Duty cycle: 100 %
 Operating frequency: max. 1000/min
 Degree of Protection: IP 54 (EN 60529)
 Internal circuit for AC: X

214

Other configurations upon request

The right to modification is reserved



215

Dimensions in mm