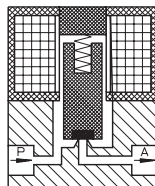
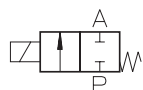


### Type PA 200

2-way solenoid valve  
direct actuated, NC  
(normally closed)



**Application**  
Neutral liquids, gases  
and vapors



Type/ Order No.	Orifice [mm]	Port size	Pressure range [bar]		kv-value [m³/h]	Weight [kg]
			AC	DC		
PA 200-001	0,8	Flange	-	0 - 8	0,02	0,050
PA 200-002	1,0	Flange	-	0 - 6	0,03	0,050
PA 200-003	1,2	Flange	-	0 - 5	0,04	0,050
PA 200-004	1,6	Flange	-	0 - 2	0,06	0,050
PA 200-005	2,0	Flange	-	0 - 1	0,08	0,050

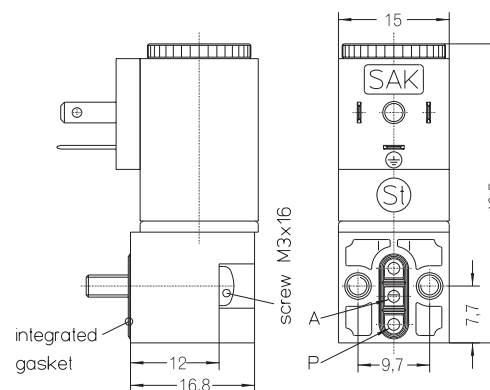
Sealing material: **P** (NBR) **E** (EPDM) **V** (FPM)

Body material: Nylon PA6/6  
 Inner parts: Stainless steel (1.4105)  
 Mounting direction: Free, preferred upwards  
 Max. ambient temp.: 50 °C  
 Viscosity of the medium: max. 21 mm²/s (3 °E)  
 Static pressure: max. 10 bar  
 Standard voltage: DC: 24, 12 V

Power consumption: 1 W  
 Voltage tolerance: -15%... +10%  
 Duty cycle: 100 %  
 Operating frequency: max. 1800/min  
 Degree of Protection: IP 54 (EN 60529)  
 Plunger guide tube: Stainless steel (1.4301)

210

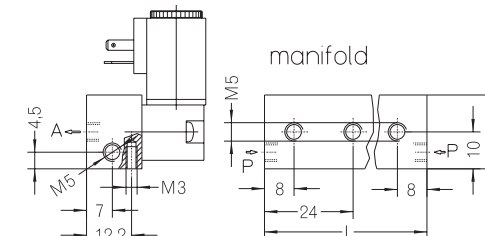
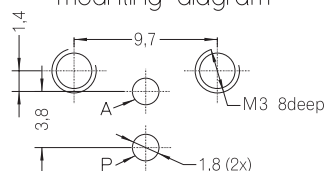
Other configurations upon request



number of valves	L (mm)	order no.
1	16	110 000 671
2	32	110 000 672
3	48	110 000 673
4	64	110 000 674
5	80	110 000 675
6	96	110 000 676

The right to modification is reserved

mounting diagram



manifold

211

Dimensions in mm