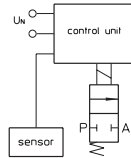


Type MW 262

2-way solenoid valve
servo actuated, NC
(normally closed)



Application
Neutral, electrical conducting
liquids and water



| Type/ Order No. | Orifice [mm] | Port size | Pressure range [bar] AC | kv-value [m³/h] | Weight [kg] |
|--------------------|-----------------|-----------|----------------------------|--------------------|----------------|
| MW 262-003 | 20 | G3/4 | 0,5-10 | 7,6 | 1,25 |
| | | | | | |
| | | | | | |
| | | | | | |
| | | | | | |

Sealing material: **P** (NBR) **E** (EPDM) **V** (FPM)

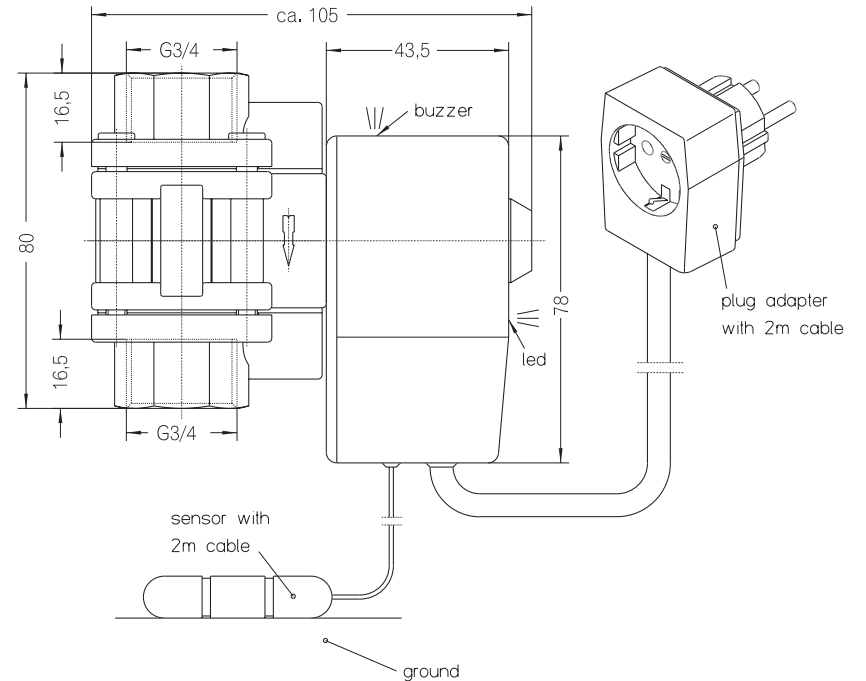
Body material: Brass
 Inner parts: Stainless steel (1.4105)
 Electronics housing: Nylon (white)
 Mounting direction: Free
 Approved ambient temperature: 0° to 50 °C
 Standard voltage: AC: 230 V, 115 V (50 or 60 Hz)

Power consumption: 11 W / 3 W
 Voltage tolerance: -15%... +10%
 Duty cycle: 100 %
 Sensor cable length: 2,5 / 5 / 10 / 20 m
 Degree of protection: IP 54 (EN 60529)
 Closing impulse ¹⁾: 3 x daily, 1 second

¹⁾ Closing impulse to avoid lodging of inner parts
(also delivery without closing impulse)

342

Other configurations upon request



The right to modification is reserved

343

Dimensions in mm

TECHNICAL DATA

| | |
|--|---|
| Electrical connections: | Schuko adapter plug |
| Operating voltage: | AC 230 V/50 Hz |
| Power consumption: | 3 W |
| Max. power consumption | 11 W |
| Autom. closing impulse: | 3 x 1 sec daily |
| Protection class according to DIN EN 60529: | IP 54 |
| Nominal pressure: | 0.5 to 10 bar |
| Media: | water; neutral, electrically conducting liquids |
| Ambient temperature: | 0 °C to +50 °C |
| Medium temperature: | 0 °C to +50 °C |
| Housing material: | brass, polyamide |
| Internal parts: | brass, stainless steel |

| Type MW | Nominal diameter [mm] | Flow coefficient [m ³ /h] | Connection [G] | Installation length (L) [mm] | Height (H) [mm] | Width [mm] |
|---------|-----------------------|--------------------------------------|----------------|------------------------------|-----------------|------------|
| 252-002 | 15 | 5,6 | G1/2 | 67 | 108 | 43 |
| 262-003 | 20 | 7,6 | G3/4 | 80 | 108 | 43 |
| 272-002 | 25 | 16,8 | G1 | 94 | 124 | 59 |
| 202-001 | 32 | 21,0 | G1 1/4 | 112 | 124 | 59 |
| 202-002 | 40 | 29,5 | G1 1/2 | 132 | 151 | 87 |
| 202-003 | 50 | 35,0 | G2 | 160 | 151 | 87 |

MAINTENANCE AND TROUBLESHOOTING

Maintenance



ATTENTION!

Water damage due to lack of maintenance!

- Regular checks of the protective function
 - Water hardness < 12 °dH: every six months
 - Water hardness ≥ 12 °dH: every four weeks

Procedure:

1. Immersion of the sensor in water
 - The valve must close
 - The signal buzzer must give the alarm
2. The alarm can be reset by briefly disconnecting the mains connection and drying off the sensor.

Troubleshooting

In case of failures, check

- the power supply
- the operating pressure
- the line connections and the flow direction

Should the valve still not function properly, please contact Staiger GmbH & Co. KG.

TRANSPORT AND DISPOSAL

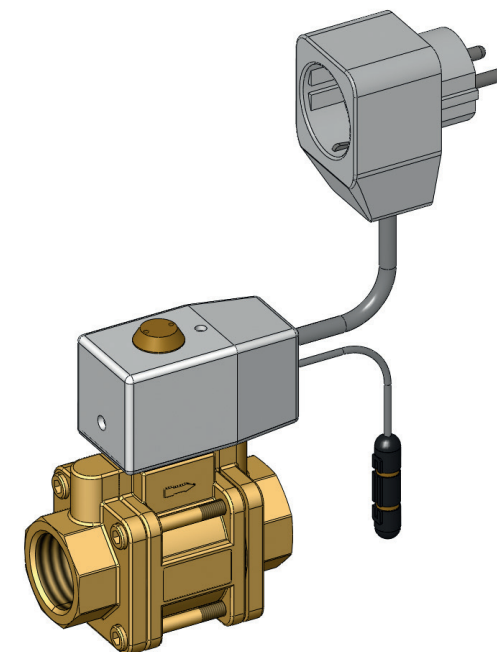
Damages in transit!

Inadequately protected devices can be damaged during transportation.

- Transport the device protected against moisture and dirt and in shockproof packaging.

Environmental damages due to device parts

- Dispose of the device in an environmentally friendly manner.
- Comply with applicable disposal and environmental regulations.



Instructions for use of the Water Guard

MW 252-002, MW 262-003, MW 272-002, MW 202-001, MW 202-002, MW 202-003

Staiger GmbH & Co. KG

Johannes-Bieg-Straße 8, D-74391 Erligheim
Phone: +49 (0) 7143 2707-0, Fax: +49 (0) 7143 2707-88
sales@staiger.de www.staiger.de

INSTRUCTIONS FOR USE

These instructions for use describe the complete life cycle of the Water Guard. Keep these instructions in a place that is easily accessible to every user. Before using this product, the operating instructions must have been read and understood.

The operating instructions contains important safety information! Failure to comply with these instructions can lead to hazardous situations.

INTENDED USE

The Water Guard provides safe protection against water damages by monitoring the water supply of laboratory equipment and household appliances. Water leaks are recorded by a sensor and the water supply is interrupted. At the same time, a signal buzzer calls attention to the damage.



ATTENTION

- The Water Guard may not be used for thermal safety devices. In case of interruption of the power supply, the device shuts off the water supply.
- The Water Guard may not be used in explosive areas.
- The Water Guard may not be used with demineralised water.
- The Water Guard may only be used indoors.
- An automatic switch-off shuts off the valve for a short time several times a day.
- No internal or external changes may be made to the Water Guard.
- Only trained personnel may carry out installation and maintenance work.
- The Water Guard may only be operated in perfect condition and by following the instructions for use.

INSTALLATION



DANGER!

Risk of injury due to electric voltage!

- Disconnect the power supply prior to installation.
- The electronics housing must not get wet.



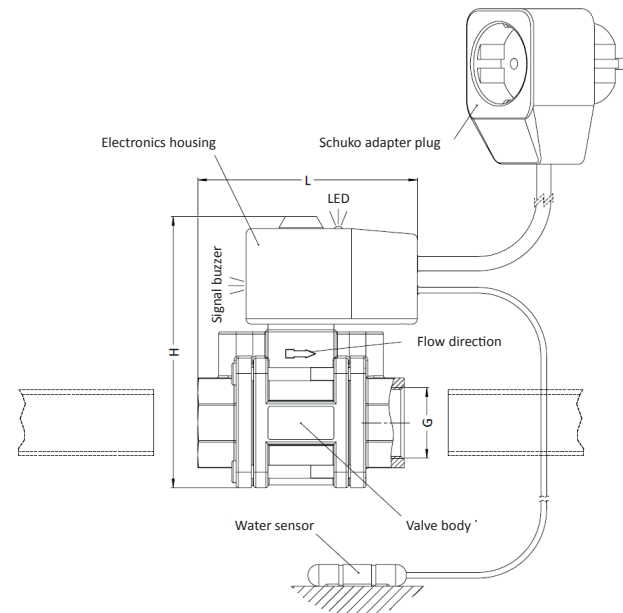
ATTENTION!

Water damage due to incorrect installation!

- Mind the type of media connections mentioned in the operating instructions.
- Mind the flow direction when connecting.

Preconditions for installation: Filtered water supply network

Mounting position: Electronics housing pointing upwards vertically



Procedure:

1. Disconnect the power supply at the Schuko adapter plug and interrupt the water supply.
2. Remove the existing water connection.
3. Screw the valve body into the water pipeline.
4. Make water available and check for leaks.
5. Provide power supply (LED lights up).
6. Check the protective function (see Maintenance).
7. Position the sensor in a suitable place horizontally on the ground.



PLEASE NOTE!

In case of incorrect installation, any liability of the manufacturer ceases to apply and the warranty on devices and accessories is voided likewise.

OPERATION

After connection to the mains voltage, the electronics assembly opens the solenoid valve. The sensor detects a water film at approx. 0.5 mm from the sensor position and sends a signal to the control electronics. The solenoid valve is closed and an audible alarm signal is triggered.

Procedures for action following alarm:

1. Disconnect the power supply at the Schuko adapter plug (LED goes out).
2. Determine cause of the error and repair damage.
Possible causes:
 - There is a water film between the sensor contacts
 - The water sensor contacts are short-circuited (e.g., as a result of contamination or a metal piece)
3. Dry off the sensor and position again in a suitable place on the ground.
4. Provide power supply (LED lights up).