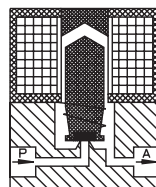
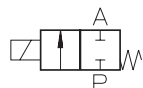


Type MP 203

2-way proportional valve
direct actuated, NC
(normally closed)



Application
Neutral liquids, gases
and vapors



| Type/ Order No. | Orifice [mm] | Port size | Pressure range [bar] | | kv-value [m³/h] | Weight [kg] |
|--------------------|-----------------|-----------|----------------------|------|--------------------|----------------|
| | | | AC | DC | | |
| MP 203-011 | 1,0 | Flange | 0 - 10 | 0,03 | 0,4 | |
| MP 203-012 | 2,0 | Flange | 0 - 6 | 0,11 | 0,4 | |
| MP 203-013 | 3,0 | Flange | 0 - 3 | 0,22 | 0,4 | |
| MP 203-014 | 4,0 | Flange | 0 - 1 | 0,39 | 0,4 | |
| MP 203-015 | 5,0 | Flange | 0 - 0,5 | 0,48 | 0,4 | |

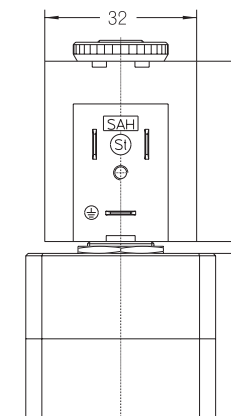
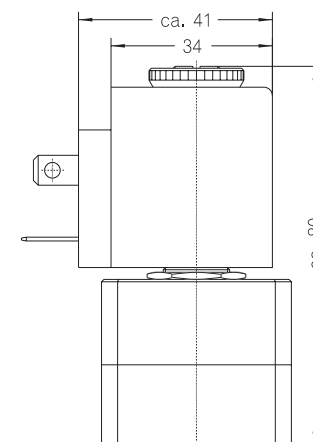
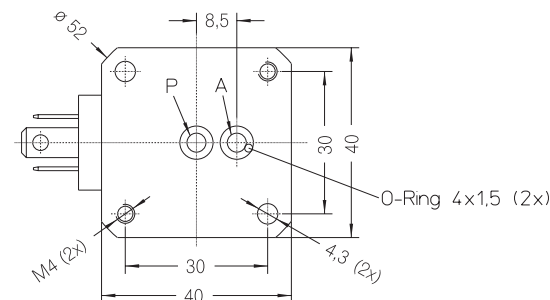
Sealing material: **P** (NBR) **E** (EPDM) **V** (FPM)

Body material: Brass
 Inner parts: Stainless steel (1.4105)
 Mounting direction: Free, preferred upwards
 Max. ambient temp.: 50 °C
 Viscosity of the medium: max. 21 mm²/s (3 °E)
 Static pressure: max. 10 bar
 Voltage range: DC: 0 - 24 V, 0 - 12 V

Power consumption: max. 11 W
 Current drain: 24 V: max. 460 mA
 12 V: max. 920 mA
 Duty cycle: 100 %
 Degree of Protection: IP 54 (EN 60529)

318

Other configurations upon request



The right to modification is reserved

319

Dimensions in mm