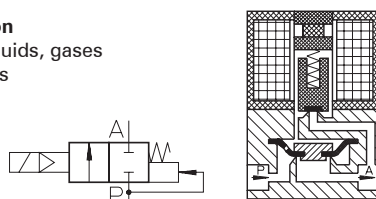


Type MI 240

2-way solenoid valve
servo actuated, bistable



Application
Neutral liquids, gases
and vapors



Type/ Order No.	Orifice [mm]	Port size	Pressure range [bar]		kv-value [m³/h]	Weight [kg]
			AC	DC		
MI 240-003	8,0	G3/8	0,5 -	8	0,85	0,45

Sealing material: **P** (NBR) **E** (EPDM) **V** (FPM)

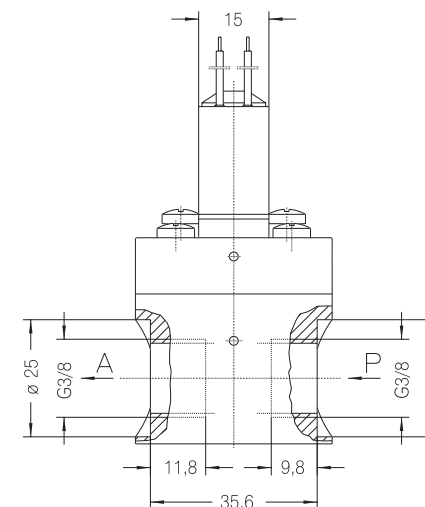
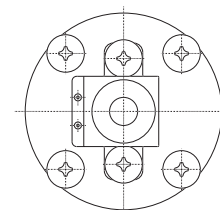
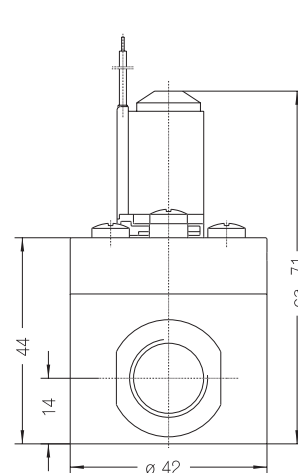
Body material: Brass / POM
 Inner parts: Stainless steel (1.4105)
 Mounting direction: Free, preferred upwards
 Max. ambient temp.: 50 °C
 Viscosity of the medium: max. 21 mm²/s (3 °E)
 Static pressure: max. 10 bar
 Standard voltage: DC: 24 V, 12 V, 9 V, 6 V

Power consumption: 2,5 W
 Pulse duration: 30 ms
 Voltage tolerance: -15%... +10%
 Operating frequency: max. 30/min
 Degree of Protection: IP 54 (EN 60529)

312

Other configurations upon request

The right to modification is reserved



313

Dimensions in mm