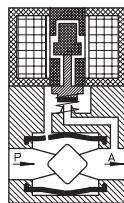
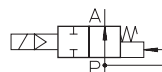


### Type MG 172

2-way solenoid valve  
servo actuated, NO  
(normally open)



**Application**  
Neutral liquids, gases  
and vapors



| Type/<br>Order No. | Orifice<br>[mm] | Port size | Pressure range [bar] |        | kv-value<br>[m³/h] | Weight<br>[kg] |
|--------------------|-----------------|-----------|----------------------|--------|--------------------|----------------|
|                    |                 |           | AC                   | DC     |                    |                |
| MG 172-002         | 25              | G1        | 0,5-10               | 0,5-10 | 16,8               | 1,25           |
|                    |                 |           |                      |        |                    |                |
|                    |                 |           |                      |        |                    |                |
|                    |                 |           |                      |        |                    |                |
|                    |                 |           |                      |        |                    |                |

Sealing material: **P** (NBR) **E** (EPDM) **V** (FPM)

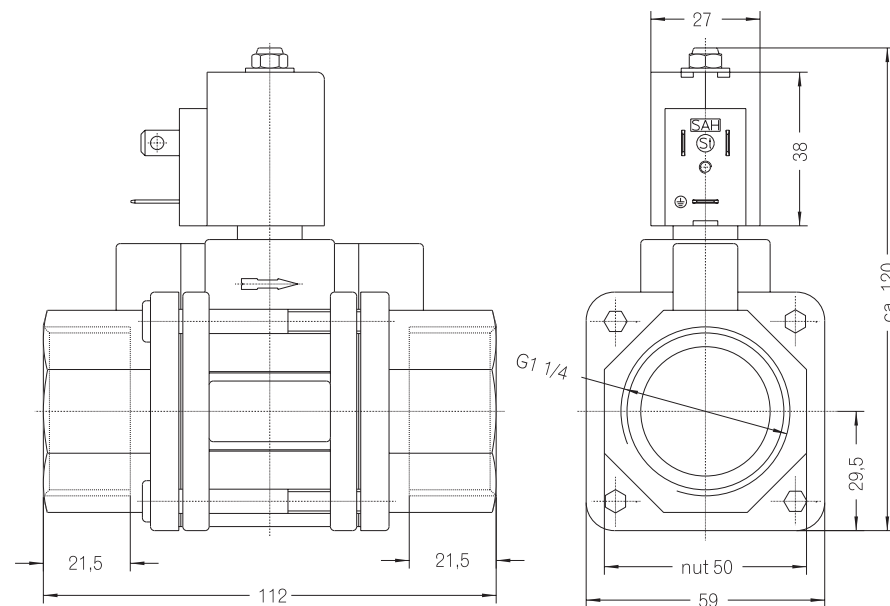
Body material: Brass  
 Inner parts: Stainless steel (1.4105)  
 Mounting direction: Free, preferred upwards  
 Max. ambient temp.: 50 °C  
 Viscosity of the medium: max. 21 mm²/s (3 °E)  
 Static pressure: max. 10 bar  
 Standard voltage: DC: 24, 12 V  
 AC: 230 V, 115 V, 42 V,  
 24 V, 12 V (50 or 60 Hz)

Power consumption: 11 VA / 8 W  
 Voltage tolerance: -15%... +10%  
 Duty cycle: 100 %  
 Operating frequency: max. 60/min  
 Degree of Protection: IP 54 (EN 60529)  
 Internal circuit for AC: Y

Other configurations upon request



The right to modification is reserved



Dimensions in mm