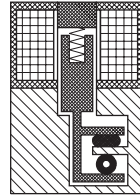
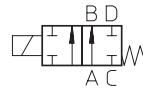


Type MB 300

4-way pinch valve
direct actuated



Application
Neutral and aggressive
liquids and gases



Type/ Order No.	Hose diameter [mm]	Hose hardness [shore]	Pressure range [bar]	Weight [kg]
MB 300-001	O.D. 3 / I.D. 1,5	max. 60	0 - 1,0	0,05

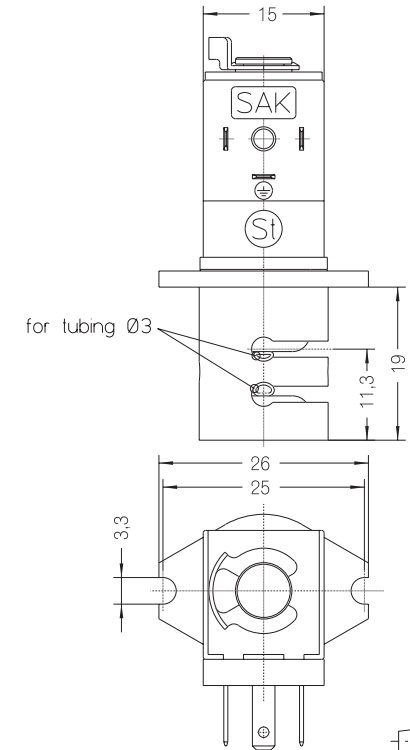
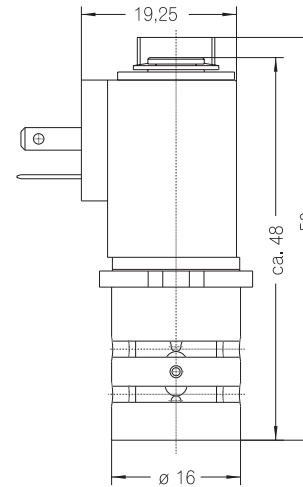
Body material: Aluminum
 Inner parts: Stainless steel (1.4105)
 Mounting direction: Free, preferred upwards
 Max. ambient temp.: 50 °C
 Standard voltage: DC: 24 V

Power consumption: max. 8 W
 Voltage tolerance: -15%... +10%
 Duty cycle: 50 %
 Operating frequency: max. 60/min
 Degree of Protection: IP 54 (EN 60529)

324

Other configurations upon request

The right to modification is reserved



325

Dimensions in mm