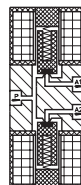
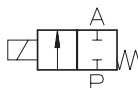


## Type MA 710

2-way solenoid valve  
direct actuated, NC  
(normally closed)



**Application**  
Neutral liquids, gases  
and vapors



Type/ Order No.	Orifice [mm]	Port size		Pressure range [bar]		kv-value [m³/h]	Weight [kg]
		P	A	AC	DC		
MA 710-010	0,8	M 5	M5	-	0 - 8	0,02	0,100
MA 710-014	1,0	M 5	M5	-	0 - 6	0,03	0,100
MA 710-018	1,2	G1/8	M5	-	0 - 5	0,04	0,100
MA 710-022	1,6	G1/8	M5	-	0 - 2	0,06	0,100
MA 710-026	2,0	G1/8	M5	-	0 - 1	0,08	0,100

Sealing material: **P** (NBR) **E** (EPDM) **V** (FPM)

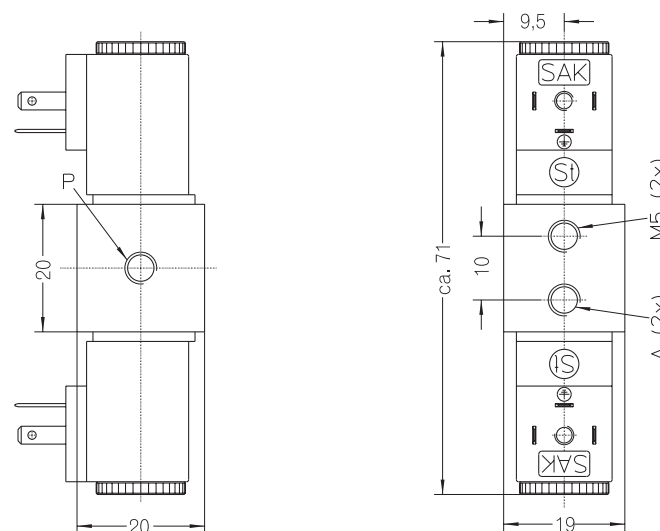
Body material: Brass/Aluminum  
 Inner parts: Stainless steel (1.4105)  
 Mounting direction: Free, preferred upwards  
 Max. ambient temp.: 50 °C  
 Viscosity of the medium: max. 21 mm²/s (3 °E)  
 Static pressure: max. 10 bar  
 Standard voltage: DC: 24, 12 V

Power consumption: 1 W  
 Voltage tolerance: -15%... +10%  
 Duty cycle: 100%  
 Operating frequency: max. 1800/min  
 Degree of Protection: IP 54 (EN 60529)

154

Other configurations upon request

staiger



The right to modification is reserved

port P	type
M5	MA 710-010
	MA 710-014
G 1/8	MA 710-018
	MA 710-022
	MA 710-026

155

Dimensions in mm