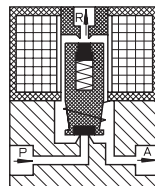


Type MA 323

3-way solenoid valve
direct actuated, NC
(normally closed)



Application
Neutral liquids, gases
and vapors



| Type/ Order No. | Orifice [mm] | Port size | Pressure range [bar] | | kv-value [m³/h] | Weight [kg] |
|--------------------|-----------------|-----------|----------------------|-------|--------------------|----------------|
| | | | AC | DC | | |
| MA 323-002 | 2,5 | G 1/8 | 0 - 7 | 0 - 7 | 0,15 | 0,320 |
| MA 323-003 | 2,5 | G 1/8 | 0 - 7 | 0 - 7 | 0,15 | 0,320 |

Sealing material: **P** (NBR) **E** (EPDM) **V** (FPM)

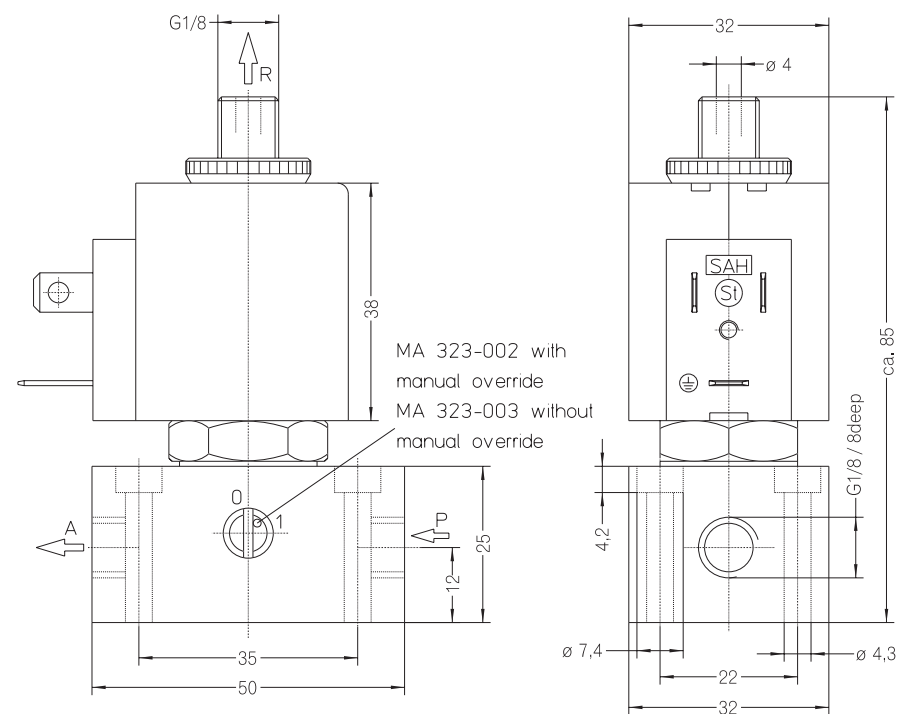
Body material: Brass
 Inner parts: Stainless steel (1.4105)
 Mounting direction: Free, preferred upwards
 Max. ambient temp.: 50 °C
 Viscosity of the medium: max. 21 mm²/s (3 °E)
 Static pressure: max. 30 bar
 Standard voltage: DC: 24, 12 V
 AC: 230 V, 115 V, 42 V,
 24 V, 12 V (50 or 60 Hz)

Power consumption: 15 VA / 11 W
 Voltage tolerance: -15%... +10%
 Duty cycle: 100%
 Operating frequency: max. 360/min
 Degree of Protection: IP 54 (EN 60529)

Other configurations upon request

150

staiger



The right to modification is reserved

151

Dimensions in mm