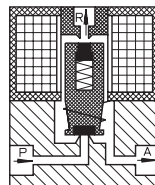
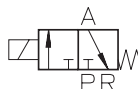


Type MA 311

3-way solenoid valve
direct actuated, NC
(normally closed)



Application
Neutral liquids, gases
and vapors



Type/ Order No.	Orifice [mm]	Port size	Pressure range [bar]		kv-value [m³/h]	Weight [kg]
			AC	DC		
MA 311-020	1,5	M 5	0 - 8	0 - 8	0,05	0,100
MA 311-024	1,5	M 5	0 - 8	0 - 8	0,05	0,100

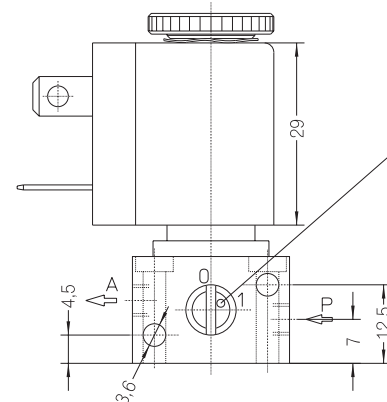
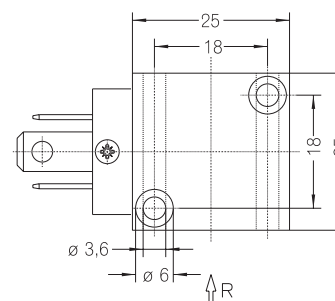
Sealing material: **P** (NBR) **E** (EPDM) **V** (FPM)

Body material: Aluminum (anodized)
 Inner parts: Stainless steel (1.4105)
 Mounting direction: Free, preferred upwards
 Max. ambient temp.: 50 °C
 Viscosity of the medium: max. 21 mm²/s (3 °E)
 Static pressure: max. 10 bar
 Standard voltage: DC: 24, 12 V
 AC: 230 V, 115 V, 42 V,
 24 V, 12 V, (50 or 60 Hz)

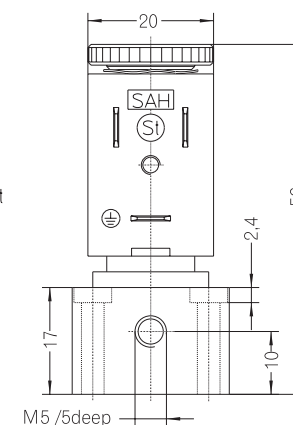
Power consumption: 6,5 VA / 5 W
 Voltage tolerance: -15%... +10%
 Duty cycle: 100%
 Operating frequency: max. 1000/min
 Degree of Protection: IP 54 (EN 60529)

144

Other configurations upon request



MA 311-020 with
manual override
MA 311-024 without
manual override



The right to modification is reserved

145

staiger

Dimensions in mm