

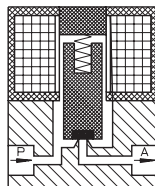
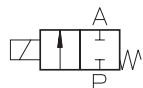
Type MA 243

2-way solenoid valve
direct actuated, NC
(normally closed)



Application

Gases according to DVGW
worksheet G 260 / I



Type/ Order No.	Orifice [mm]	Port size	Pressure range [bar]		Q* [m³/h]	Weight [kg]	CE number acc. to DIN EN 161
			AC	DC			
MA 243-001	13,0	Rp 3/8	0 - 0,2	0 - 0,2	3,3	0,400	CE-0085AN0076
MA 243-009	13,0	G 3/8	0 - 0,2	0 - 0,2	3,3	0,400	CE-0085AN0076

Sealing material: **P** (NBR)

*Q: by delta p 2,5 mbar

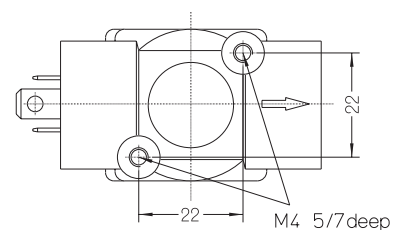
Body material: Brass
 Inner parts: Stainless steel (1.4105)
 Mounting direction: Free, preferred upwards
 Max. ambient temp.: -10 °C to +60 °C
 Approval: DIN EN 161 KI.A
 Standard voltage: DC: 24 V, 12 V
 AC: 230 V, 115 V, 24 V
 (50 or 60 Hz)

Power consumption: 15 VA / 11 W
 Voltage tolerance: -15%... +10%
 Duty cycle: 100%
 Operating frequency: max. 360/min
 Degree of Protection: IP 54 (EN 60529)

Other configurations upon request

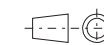
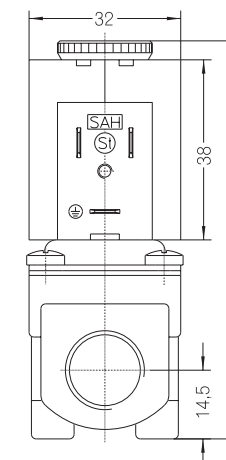
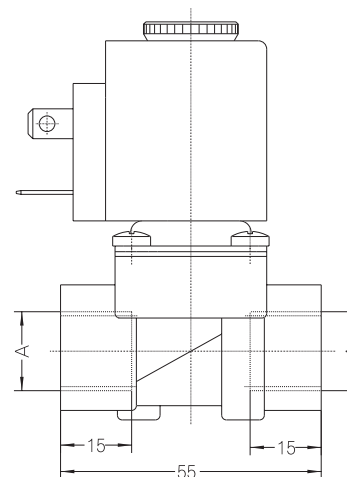
178

staiger



Type	A
MA 243-001	Rp 3/8 DIN 2999
MA 243-009	G 3/8 DIN 259

The right to modification is reserved



Dimensions in mm

179