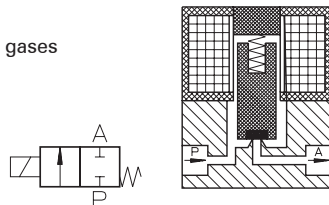


Type MA 202

2-way solenoid valve
direct actuated, NC
(normally closed)



Application
Neutral liquids, gases
and vapors



Type/ Order No.	Orifice [mm]	Port size	Pressure range [bar]		kv-value [m³/h]	Weight [kg]
			AC	DC		
MA 202-003	2,0	OD 6 mm	0 - 25	0 - 15	0,11	0,250
MA 202-004	2,5	OD 6 mm	0 - 15	0 - 9	0,15	0,250
MA 202-005	3,0	OD 6 mm	0 - 10	0 - 6	0,22	0,250
MA 202-006	3,5	OD 6 mm	0 - 7	0 - 4	0,25	0,250

Sealing material: **P** (NBR) **E** (EPDM) **V** (FPM)

Body material: Brass
 Inner parts: Stainless steel (1.4105)
 Mounting direction: Free, preferred upwards
 Max. ambient temp.: 50 °C
 Viscosity of the medium: max. 21 mm²/s (3 °E)
 Static pressure: max. 30 bar
 Standard voltage: DC: 24, 12 V
 AC: 230 V, 115 V, 42 V,
 24 V, 12 V, (50 or 60 Hz)

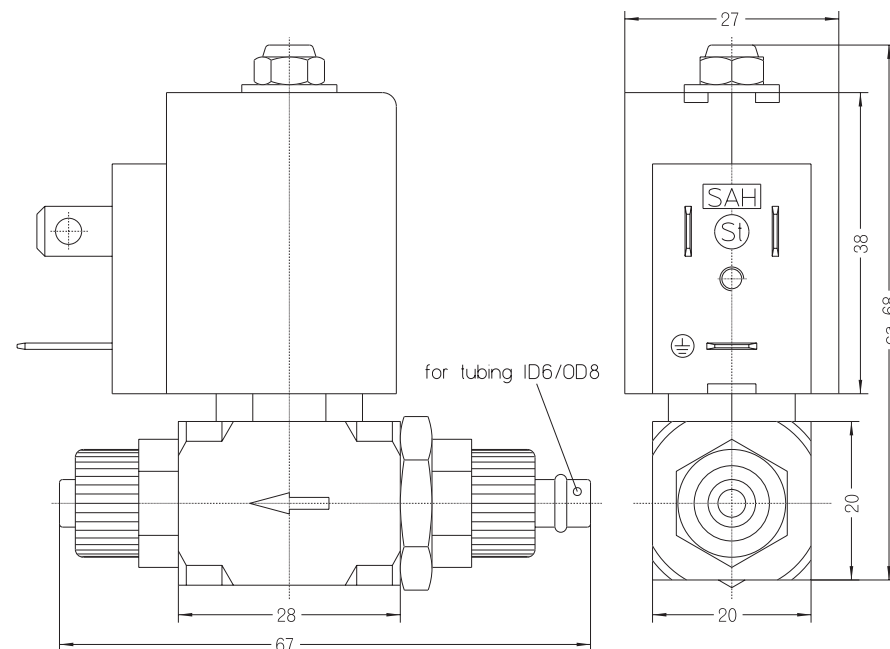
Power consumption: 11 VA / 8 W
 Voltage tolerance: -15%... +10%
 Duty cycle: 100%
 Operating frequency: max. 1000/min
 Degree of Protection: IP 54 (EN 60529)

104

Other configurations upon request

staiger

The right to modification is reserved



105

Dimensions in mm