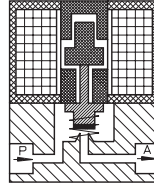
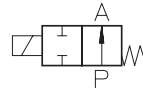


Type MA 122

2-way solenoid valve
direct actuated, NO
(normally open)



Application
Neutral liquids, gases
and vapors



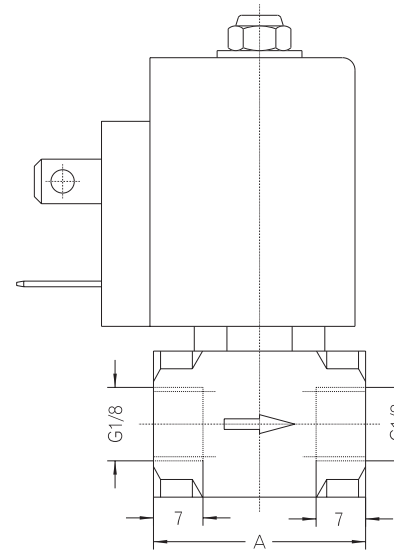
Type/ Order No.	Orifice [mm]	Port size	Pressure range [bar]		kv-value [m³/h]	Weight [kg]
			AC	DC		
MA 122-021	2,0	G 1/8	0 - 10	0 - 10	0,06	0,200
MA 122-022	2,0	G 1/8	0 - 10	0 - 10	0,06	0,250
MA 122-023	2,5	G 1/8	0 - 7	0 - 7	0,10	0,200
MA 122-024	2,5	G 1/8	0 - 7	0 - 7	0,10	0,250
MA 122-025	3,0	G 1/8	0 - 5	0 - 5	0,17	0,200
MA 122-026	3,0	G 1/8	0 - 5	0 - 5	0,17	0,250
MA 122-027	3,5	G 1/8	0 - 3	0 - 3	0,24	0,200
MA 122-028	3,5	G 1/8	0 - 3	0 - 3	0,24	0,250

Sealing material: **P** (NBR) **E** (EPDM) **V** (FPM)

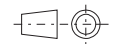
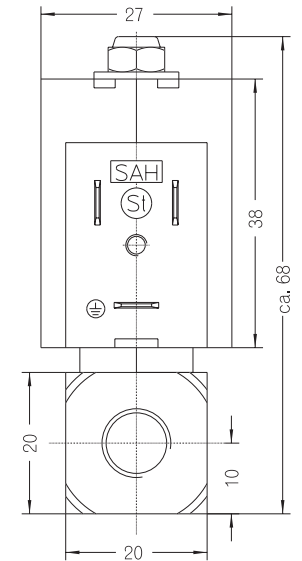
Body material: Brass
 Inner parts: Stainless steel (1.4105)
 Mounting direction: Free, preferred upwards
 Max. ambient temp.: 50 °C
 Viscosity of the medium: max. 21 mm²/s (3 °E)
 Static pressure: max. 30 bar
 Standard voltage: DC: 24, 12 V
 AC: 230 V, 115 V, 42 V,
 24 V, 12 V, (50 or 60 Hz)

Power consumption: 11 VA / 8 W
 Voltage tolerance: -15%... +10%
 Duty cycle: 100 %
 Operating frequency: max. 360/min
 Degree of Protection: IP 54 (EN 60529)
 Internal circuit for AC: Y

The right to modification is reserved



A	type
30	MA 122-021
	-023
	-025
44	MA 122-022
	-024
	-026
	-028



Dimensions in mm