

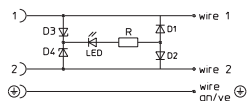
Type LL-SAD

Light emitting plug

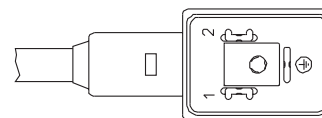


Application

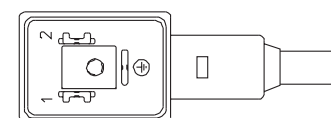
Soleniod valves with pin connectors to DIN 43650 design B



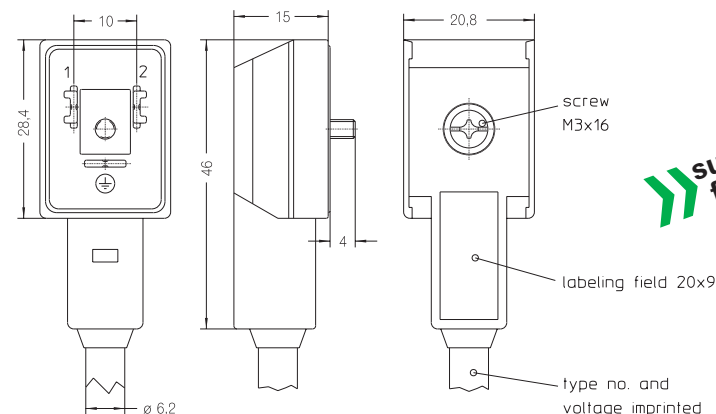
Cable exit opposed PE-contact



Cable exit by PE-contact



Dimensions



super flat!

The right to modification is reserved

Function	Cable exit	Voltage	Internal circuit
SGG - 24	opposed PE-contact	24 V AC / DC	LED and surge protection
VOG - 230	opposed PE-contact	230 V AC / DC	surge protection
OOG - 230	opposed PE-contact	230 V AC / DC	without
SGB - 24	by PE-contact	24 V AC / DC	LED and surge protection
VOB - 230	by PE-contact	230 V AC / DC	surge protection
OOB - 230	by PE-contact	230 V AC / DC	without

Cable	Description	Cable length	Cable ends
PUR - 0,75	PUR - JZ 3 x 0,75	1,5 m 3,0 m 5,0 m	wire lead protectors
PVC - 0,75	PVC - JZ 3 x 0,75	1,5 m 3,0 m 5,0 m	wire lead protectors

Housing and Sealing material: Macromelt (PA - Base)
 Color: Amber transparent (without LED black)
 Contact material: CuSn6
 Surface: Gal Sn
 Number of pins: 2 + PE
 Mounting: Screw M3x16, protected against loss

Tightening torque: max. 0,6 Nm
 Degree of protection (EN 60529): IP65 (installed)
 Ambient temperature: -20°C to 80°C
 Ambient parameter: Produced without LABS ingredients, silicon free, resistant against industrial environment, EMV resistant

Order code see page 391

384

Other configurations upon request

385

Dimensions in mm