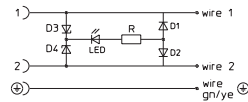


Type LL-SAB

Light emitting plug



Application
Soleniod valves with pin connectors to DIN 43650 design C



Function	Voltage	Internal circuit
ZGX - 24	24 V AC / DC	LED and surge protection
OOX - 230	230 V AC / DC	without

Cable	Description	Cable length	Cable ends
PUR - 0,75	PUR - JZ 3 x 0,75	1,5 m 3,0 m 5,0 m	wire lead protectors
PVC - 0,75	PUR - JZ 3 x 0,75	1,5 m 3,0 m 5,0 m	wire lead protectors

Housing and Sealing material: Macromelt (PA - Base)
 Color: Amber transparent (without LED black)
 Contact material: CuSn6
 Surface: Gal Sn
 Number of pins: 2 + PE bridged
 Mounting: Screw M3x16, protected against loss

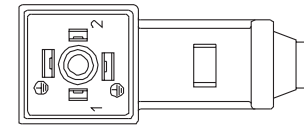
Tightening torque: max. 0,6 Nm
 Degree of protection (EN 60529): IP65 (installed)
 Ambient temperature: -20°C to 80°C
 Ambient parameter: Produced without LABS ingredients, silicon free, resistant against industrial environment, EMV resistant

Order code see page 391

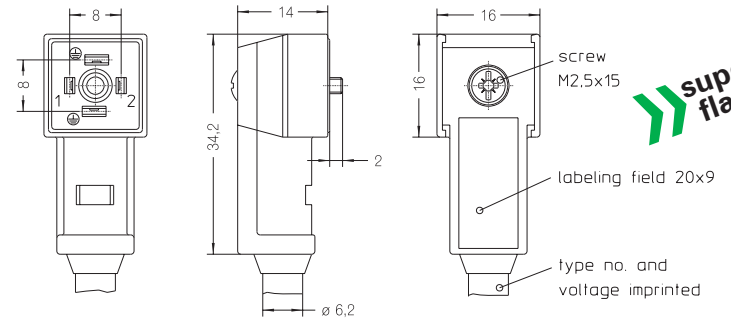
382

Other configurations upon request

Cable exit by PE-contact, PE bridged



Dimensions



super flat!

The right to modification is reserved

383

Dimensions in mm