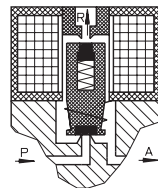
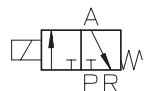


Type EA 302

3-way solenoid valve
direct actuated, NC
(normally closed)



Application
Neutral liquids, gases
and vapors



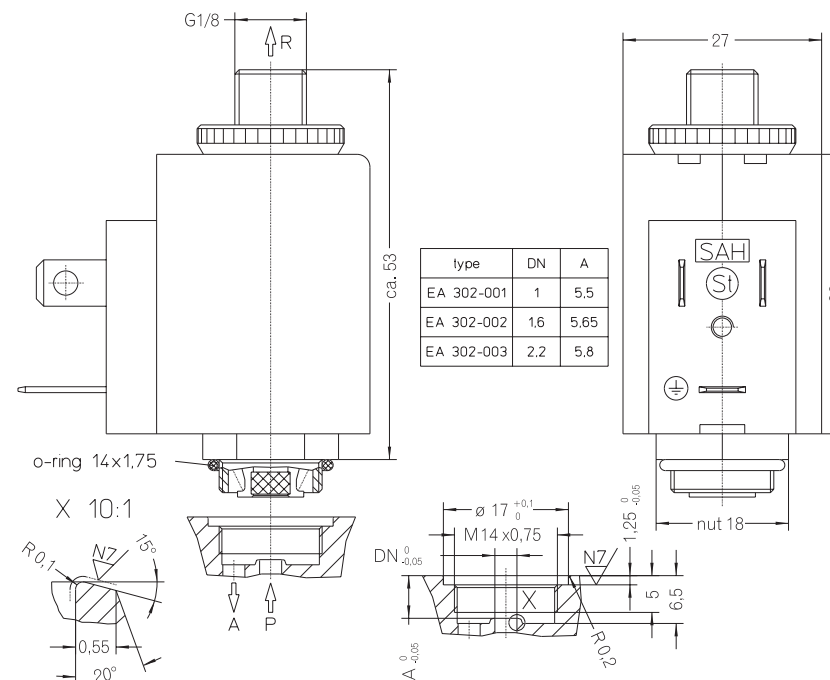
Type/ Order No.	Orifice [mm]	Port size	Pressure range [bar]		kv-value [m³/h]	Weight [kg]
			AC	DC		
EA 302-001	1,0	M 14 x 0,75	0 - 12	0 - 12	-	0,130
EA 302-002	1,6	M 14 x 0,75	0 - 10	0 - 10	-	0,130
EA 302-003	2,2	M 14 x 0,75	0 - 6	0 - 6	-	0,130

Sealing material: **P** (NBR) **E** (EPDM) **V** (FPM)

Inner parts: Stainless steel (1.4105)
 Mounting direction: Free, preferred upwards
 Max. ambient temp.: 50 °C
 Viscosity of the medium: max. 21 mm²/s (3 °E)
 Static pressure: max. 30 bar
 Standard voltage: DC: 24 V, 12 V
 AC: 230 V, 115 V, 42 V,
 24 V, 12 V (50 or 60 Hz)

Power consumption: 11 VA / 8 W
 Voltage tolerance: -15 %... +10 %
 Duty cycle: 100 %
 Operating frequency: max. 1000/min
 Degree of Protection: IP 54 (EN 60529)
 Plunger guide tube: Brass

Other configurations upon request



The right to modification is reserved

Dimensions in mm