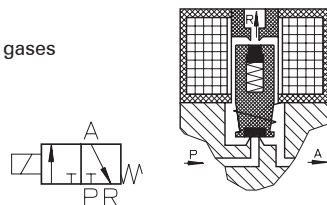


Type EA 301

3-way solenoid valve
direct actuated, NC
(normally closed)



Application
Neutral liquids, gases
and vapors



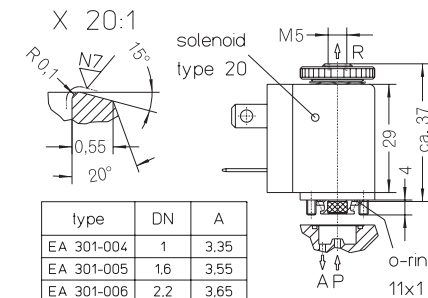
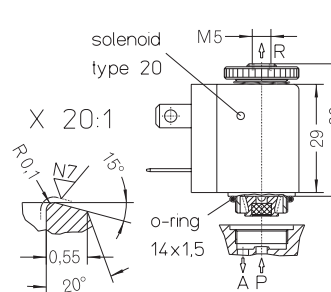
Type/ Order No.	Orifice [mm]	Port size	Pressure range [bar]		kv-value [m³/h]	Weight [kg]
			AC	DC		
EA 301-001	1,0	M 14 x 0,75	0 - 10	0 - 10	-	0,070
EA 301-002	1,6	M 14 x 0,75	0 - 6	0 - 6	-	0,070
EA 301-003	2,2	M 14 x 0,75	0 - 3	0 - 3	-	0,070
EA 301-004	1,0	Flange	0 - 10	0 - 10	-	0,070
EA 301-005	1,6	Flange	0 - 6	0 - 6	-	0,070
EA 301-006	2,2	Flange	0 - 3	0 - 3	-	0,070

Sealing material: **P** (NBR) **E** (EPDM) **V** (FPM)

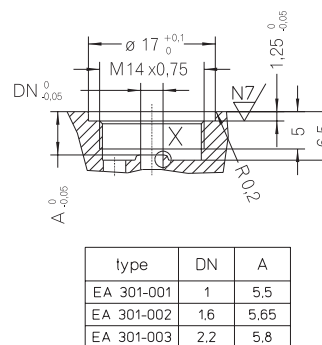
Inner parts: Stainless steel (1.4105)
 Mounting direction: Free, preferred upwards
 Max. ambient temp.: 50 °C
 Viscosity of the medium: max. 21 mm²/s (3 °E)
 Static pressure: max. 30 bar
 Standard voltage: DC: 24 V, 12 V
 AC: 230 V, 115 V, 42 V,
 24 V, 12 V (50 or 60 Hz)

Power consumption: 5 VA / 5 W
 Voltage tolerance: -15 %... +10 %
 Duty cycle: 100 %
 Operating frequency: max. 1000/min
 Degree of Protection: IP 54 (EN 60529)
 Plunger guide tube: MS / Stainless steel
 (1.4301)

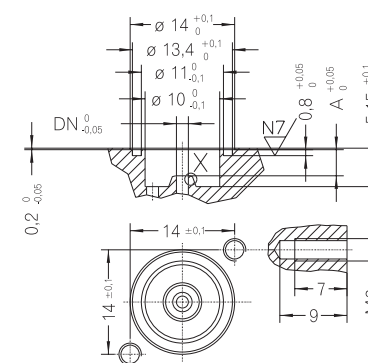
Other configurations upon request



type	DN	A
EA 301-004	1	3.35
EA 301-005	1.6	3.55
EA 301-006	2.2	3.65



type	DN	A
EA 301-001	1	5,5
EA 301-002	1,6	5,65
EA 301-003	2,2	5,8



Dimensions in mm

The right to modification is reserved