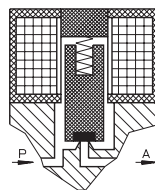
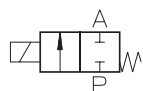


### Type EA 202

2-way solenoid valve  
direct actuated, NC  
(normally closed)



**Application**  
Neutral liquids, gases  
and vapors



Type/ Order No.	Orifice [mm]	Port size	Pressure range [bar]		kv-value [m³/h]	Weight [kg]
			AC	DC		
EA 202-002	1,0	M 14 x 0,75	0 - 60	0 - 35	-	0,130
EA 202-002	1,5	M 14 x 0,75	0 - 30	0 - 20	-	0,130
EA 202-002	2,0	M 14 x 0,75	0 - 25	0 - 15	-	0,130
EA 202-002	2,5	M 14 x 0,75	0 - 15	0 - 9	-	0,130
EA 202-002	3,0	M 14 x 0,75	0 - 10	0 - 6	-	0,130
EA 202-002	3,5	M 14 x 0,75	0 - 7	0 - 4	-	0,130

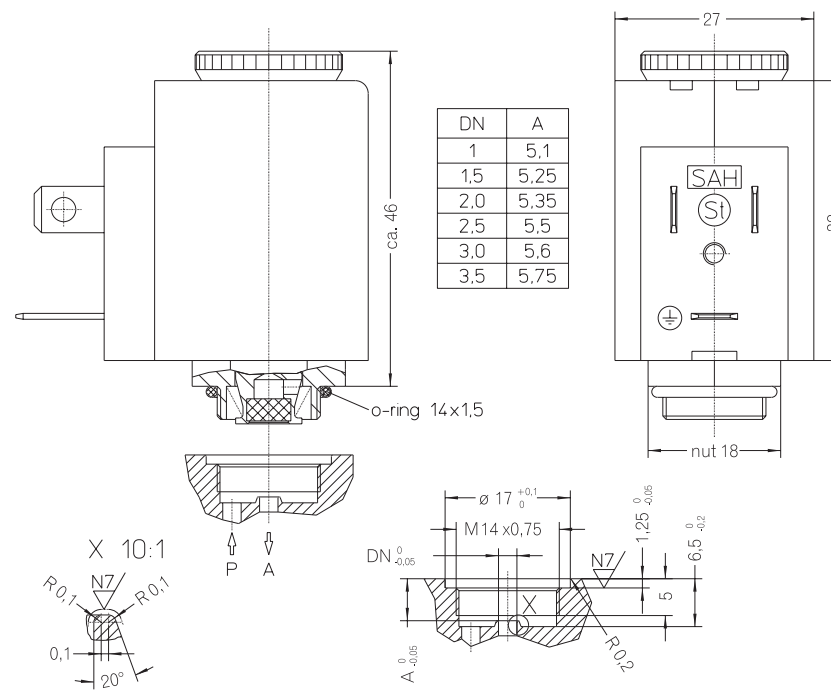
Sealing material: **P** (NBR) **E** (EPDM) **V** (FPM)

Inner parts: Stainless steel (1.4105)  
 Mounting direction: Free, preferred upwards  
 Max. ambient temp.: 50 °C  
 Viscosity of the medium: max. 21 mm²/s (3 °E)  
 Static pressure: max. 60 bar  
 Standard voltage: DC: 24 V, 12 V  
 AC: 230 V, 115 V, 42 V,  
 24 V, 12 V (50 or 60 Hz)

Power consumption: 11 VA / 8 W  
 Voltage tolerance: -15 %... +10 %  
 Duty cycle: 100 %  
 Operating frequency: max. 1000/min  
 Degree of Protection: IP 54 (EN 60529)  
 Plunger guide tube: Brass

76

Other configurations upon request



The right to modification is reserved

77

Dimensions in mm