

» Technical Data – Light emitting seal

Function	Voltage	current drain	surge protection	clamping voltage	solenoid power
B	24 V	10 mA	Zener diodes	< 50 V	max. 15 W
S	24 V	10 mA	Suppressor diodes	< 66 V	max. 50 W
S	48 V	8 mA	Suppressor diodes	< 139 V	max. 50 W
S	115 V	8 mA	Suppressor diodes	< 276 V	max. 50 W
S	230 V	5 mA	Suppressor diodes	< 537 V	max. 50 W
R	24 V	10 mA	-	unlimited	max. 100 W
R	48 V	8 mA	-	unlimited	max. 100 W
R	115 V	8 mA	-	unlimited	max. 100 W
R	230 V	5 mA	-	unlimited	max. 100 W

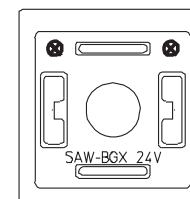
Light emitting seal order code



380

Other configurations upon request

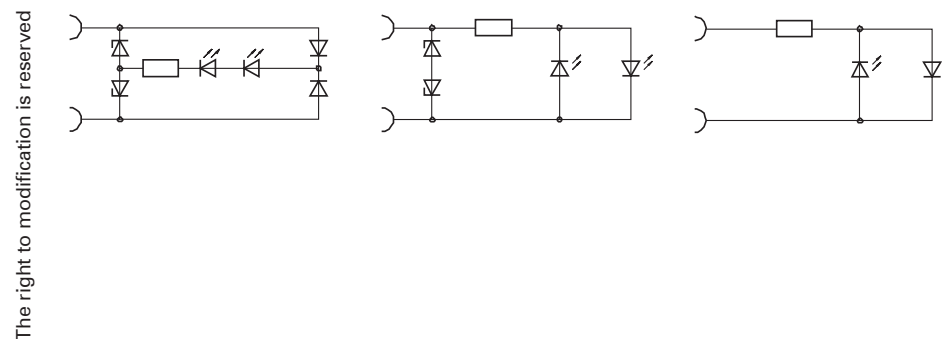
Marking



Position of LEDs marked

Type and voltage imprinted

Function	B	S	R
----------	---	---	---



381